



WATERVAC FILTRATION EQUIPMENTS



WaterVac 100 Filtration System

Stainless steel funnels, polypropylene or magnetics connected to a direct transfer vacuum pump



Description

WaterVac 100 is a multi-filtration system that allows several possible configurations according to the requirements of each laboratory, always on the basis of a direct transfer vacuum pump easy handling and without maintenance.

Can be connected stainless steel funnels, single use, magnetic funnels, monitors and microbiological monitors and polyethersulfone funnels with threaded base.

As a universal adapter can use a silicone stopper with hole, but we also have specific adapters for stainless steel funnels or for single use.

Advantages

- No need bottle suction pump saver or any accessory by traditional method.
- No need to empty the suction flask.
- Can not be produced accidents with the liquid inlet in the vacuum pump.
- Very versatile thanks to its various configurations:
 - - Stainless steel funnels fried the same material
 - - Polypropylene funnels single use
 - - Funnels with magnetic base polycarbonate
 - - Microbiological Monitors
- Space saving

Technical specifications for the vacuum pump WaterVac WV-100

- Max. vacuum:** 540 mm Hg
- Max. air flow rate:** 2.2 l/m
- Max. water flow rate:** 0.5 l/m
- Weight:** 1.16 kg
- Power:** DC 12 V, 1.5 A
- Range of temperature:** 5 – 40°C
- Dimensions:** 170 x 120 x 96 mm (L x W x H)
- Parts and materials:**
 - Housing: stainless steel with paint powder.
 - Valve plate - EPDM (ethylene propylene diene monomer).
 - Diafragma: EPDM (ethylene propylene diene monomer).
 - Fluid path input / output port: stainless steel # 316
 - O-ring: FKM
 - Fluid path hose: Silicone tube
 - Drain hose: silicon, Ø4 mm / Ø8 mm, 2 meters

Applications

- Microbiological analysis
- Determination of suspended solids in water samples
- General filtration of aqueous samples where is not necessary to collect the filtrate



WaterVac 100 Filtration System Magnetic funnels

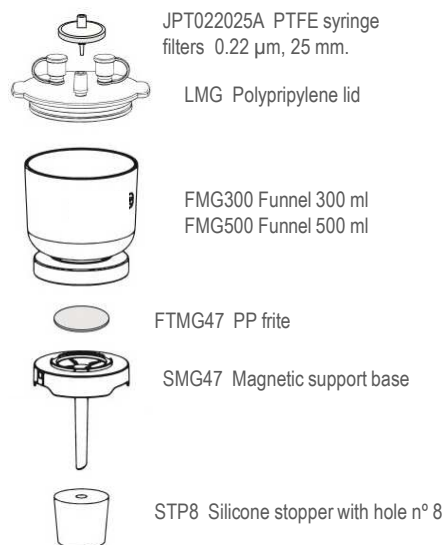


Advantages

- Easy assembly of the magnetic funnel
- Compatible with a large range of solvents
- High temperature resistant
- Robust construction
- Reusable
- Prepared to filter continuously
- Graduated

INFORMATION FOR ORDERS

Cod.	Description
WV100-8	WaterVac 100 filtration system with adapter for silicone stopper with hole
MG300	Magnetic filtration equipment 300 ml
MG500	Magnetic filtration equipment 500 ml
JPT022025T	PTFE syringe filters 0.22 µm, 25 mm Bag 10 units
LMG	Polypropylene lid
FMG300	300 ml magnetic funnel with lid
FMG500	500 ml magnetic funnel with lid
FTMG47	Polypropylene frite 47 mm diameter
SMG47	Magnetic support base with polypropylene frite
STP8	Silicone stopper with hole n° 8



JPT022025A PTFE syringe
filters 0.22 µm, 25 mm.

LMG Polypropylene lid

FMG300 Funnel 300 ml
FMG500 Funnel 500 ml

FTMG47 PP frite

SMG47 Magnetic support base

STP8 Silicone stopper with hole n° 8

WaterVac 100 Filtration System Polyethersulphone (PES) funnels

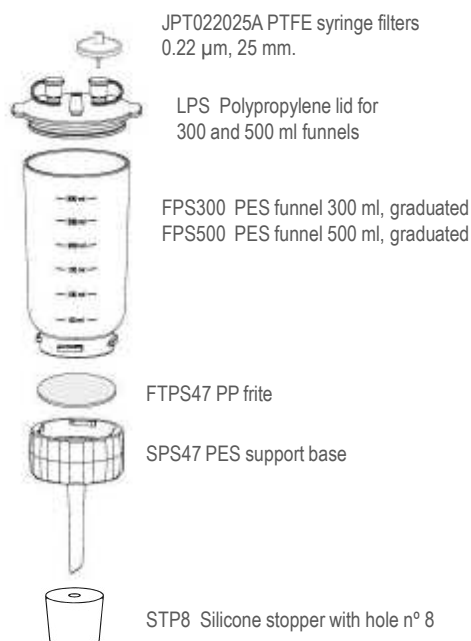


Advantages

- Compatible with a high range of solvents
- High temperature resistant
- Robust estructure
- Reusable
- Prepared for filter continuously
- Very versatile. It can be connected to different types of equipment.
- Graduated funnels

INFORMATION FOR ORDERS

Code	Description
WV100-8	WaterVac 100 filtration system with adapter for silicone stopper with hole
PES300	PES filtration equipment 300 ml
PES500	PES filtration equipment 500 ml
JPT022025T	PTFE syringe filters 0.22 µm, 25 mm. Bag 10 units
LPES	PES lid for funnels 300 and 500 ml
FPS300	PES funnel 300 ml. Stopper included
FPS500	PES funnel 500 ml. Stopper included
FTPES47	PP frite 47 mm diameter
SPS47	Support base
STP8	Silicone stopper with hole nº 8



JPT022025A PTFE syringe filters
0.22 µm, 25 mm.

LPS Polypropylene lid for
300 and 500 ml funnels

FPS300 PES funnel 300 ml, graduated
FPS500 PES funnel 500 ml, graduated

FTPES47 PP frite

SPS47 PES support base

STP8 Silicone stopper with hole nº 8

WaterVac 100 Filtration System Stainless steel funnels

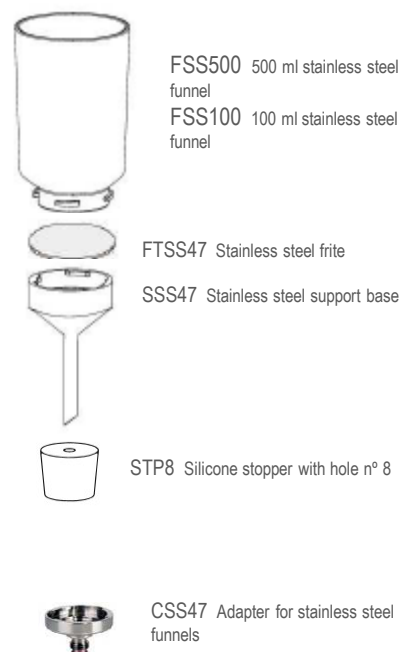


Advantages

- Compatible with most solvents
- High temperature resistant
- Robust structure
- Reusable
- Very versatile. It can be connected to different types of equipment.
- It can be connected via a plug and a special support

INFORMATION FOR ORDERS

Cod.	Description
WV100-8	WaterVac 100 filtration system with adapter for silicone stopper with hole
WV100	WaterVac filtration system without adapter
CSS47	Adapter for stainless steel funnels to WaterVac WV100
SS100	Full filtration equipment 100 ml, stopper included
SS500	Full filtration equipment 500 ml, stopper included
FSS500	Stainless steel funnel 500 ml
FSS100	Stainless steel funnel 100 ml
LSS500	Stainless steel lid for 500 ml funnel
LSS100	Stainless steel lid for 100 ml funnel
FTSS47	Stainless steel frit 47 mm diameter
SSSP47	Stainless steel support base
STP8	Silicone stopper with hole n° 8



WaterVac 100 Filtration System Single use funnels



INFORMATION FOR ORDERS

Cod.	Description
WV100	WaterVac 100 filtration system without adapter
CM47WW	Adapter for Millipore funnels
CS47WW	Adapter for Sartorius funnels
CP47WW	Adapter for Pall funnels

Advantages

- o Compatible with Sartorius, Millipore and Pall single use funnels.



CP47WW Adapter for Pall single use funnels



CM47WW Adapter for Millipore single use funnels



CS47WW Adapter for Sartorius single use funnels

WaterVac 100 Filtration System Microbiological Monitors



Advantages

- Compatible with different biological monitors
- Easy to use

INFORMATION FOR ORDERS

Cod.	Description
WV100-8	WaterVac 100 filtration system with silicone stopper adapter
MB022047WGSK	Microbiological monitors 0.22 μm , 47 mm, white, gridded, sterile. Pack 50 units
MB045047WGSK	Microbiological monitors 0.45 μm , 47 mm, white, gridded, sterile. Pack 50 units
MB045047BGSK	Microbiological monitors 0.45 μm , 47 mm, black, gridded, sterile. Pack 50 units

WaterVac 100 Filtration System Accessories



Polyethersulphone (PES) bottle code VB-3000

Capacity: 3 liters
 Input and output connection: tube 6-10 mm diameter
 Lid closure by pressure
 Patent security system protect the vacuum pump without use venting filter
 Graduated every 200 ml



Polyethersulfone (PES) bottle code VB-1200

Capacity: 1.2 liters
 Vacuum output: tube 6-10 mm diameter
 Screw lid. Threaded plug
 Patent security system protect the vacuum pump without use venting filter
 Graduated every 100 ml.
 It can be connect by theaded PES funnels. Magnetic and stainless steel funnels and microbiological monitors by silicone stopper.



Adapter for WaterVac 100 to rubber tube code CTWV

Material: Stainless steel
 Tube diameter: 4-8 mm



Adapter for connect silicone stopper code CAWV

Material: Stainless steel



Special rubber tube for vacuum equipments code TG-10

Length: 1,5 meters
 Diameter: 8 mm



Silicone stopper as adapters

2 sizes

INFORMATION FOR ORDERS

Cod.	Description
VB-3000	Polyethersulphone (PES) bottle with security system. Capacity: 3 liters
VB-1200	Polyethersulphone (PES) bottle with security system. Capacity 1.2 liters
CTWV	Adapter for connect rubber tube 4 - 8 mm diameter to WaterVac 100
CAWV	Adapter for connect a silicone stopper to WaterVac 100
TG-10	Special rubber tube for vacuum 1,5 meters, 8 mm diameter
STP8	Silicone stopper with hole nº 8
STP16	Silicone stopper with hole nº 16



Especialistas en productos para la Filtración, Microfiltración y Separación en laboratorio



FILTROS ANOIA, S.A.
 Camí de Baix, s/n
 08776 Sant Pere Riudebitlles (Barcelona) ESPAÑA
 Tel. +34.93.8995036
 Fax +34.93.8997172
 E-mail: fanoia@fanoia.com
 web: fanoia.com

